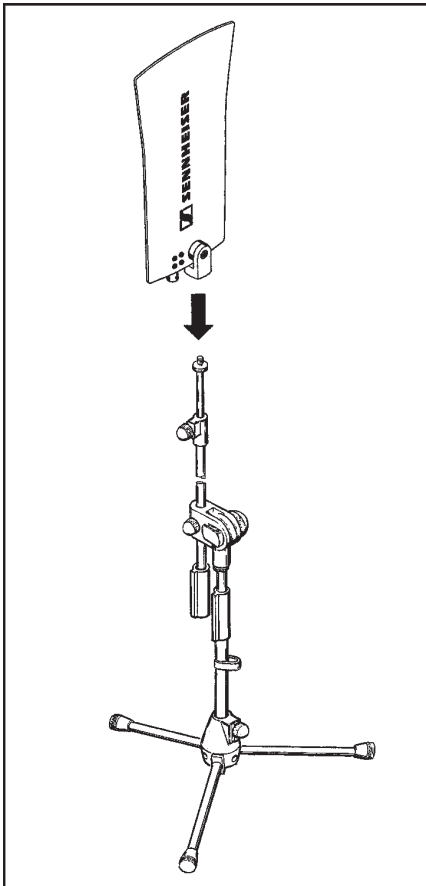
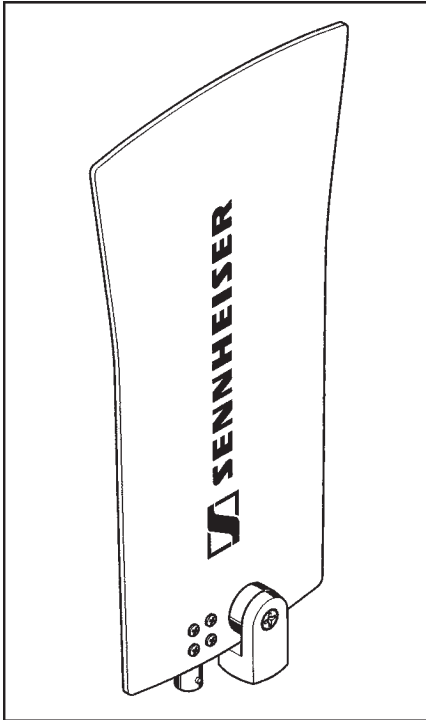


A 1031 U



A 1031 U Antenna For Rack Mount Receivers

Passive omni-directional antenna. Transmitting and receiving antenna for frequencies between 450 and 960 MHz. Swivel joint for attachment to GZP 10 mounting plate. The swivel joint permits the exact positioning of the unit for optimum coverage.

Features—Benefits

- Suitable for use with a UHF receiver in closed rooms
- Suitable for use with EM 3031-U, EM 3032-U, EM 3532-U, EM 1046-U, EM 1031-U, and all stationary evolution wireless receivers
- Can also be used as a transmitting device. Suitable transmitters: SR 3054-U, SR 3056-U, SR 1000, SER 20, and all other UHF transmitters with max. 10 W RF output power.

Technical Data

Frequency range	430–960 MHz
Apex angle	360°
Deviation from circular radiation	< 3 dB
Gain	0 dB
Connector	BNC socket, 50Ω
Max. input power	10 W
DC input resistance	≥ 1 MΩ
Temperature range	-20°– +80° C
Max. humidity	95%
Dimensions in inches	10.63 x 5.12 x 1.38
Weight (with booster)	approx. 5.29 oz
Mounting connection	5/8" thread, thread adapter to 3/8"

Architectural Specifications

The unit shall be an antenna that operates in the frequency range of 430–960 Mhz. The unit shall have an apex angle of 360° with a circular radiation deviation of < 3 dB. The unit shall connect via a 50 Ω BNC socket with a maximum input power of 10 W. The temperature range shall be -20°–+80° C, and the max. humidity shall be 95%. The DC input resistance shall be ≥ 1 MΩ. The unit shall be 10.63 x 5.12 x 1.38 inches and weight approx. 5.29 oz. The unit shall be a Sennheiser A 1031 U.